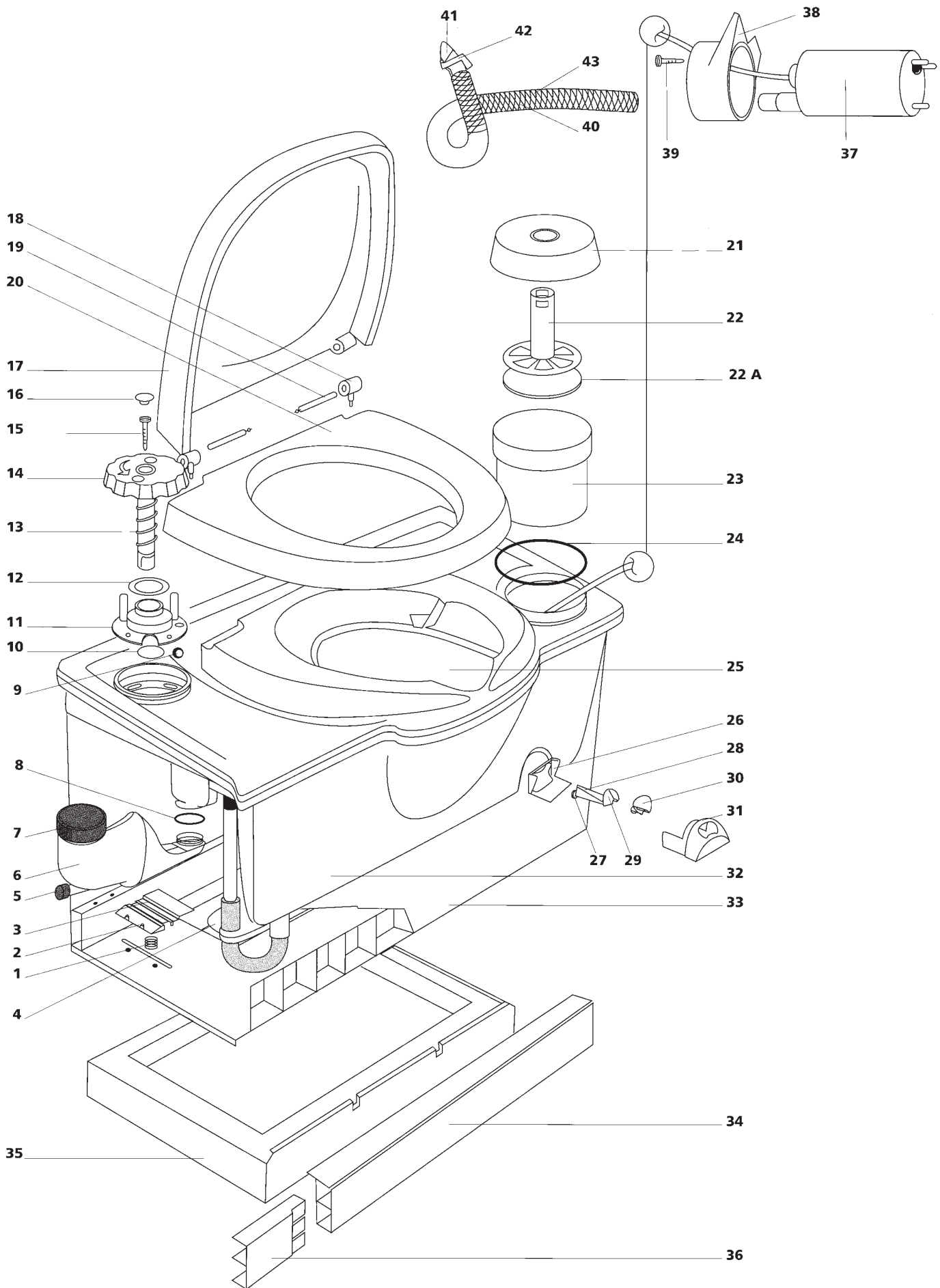


# Cassette C2



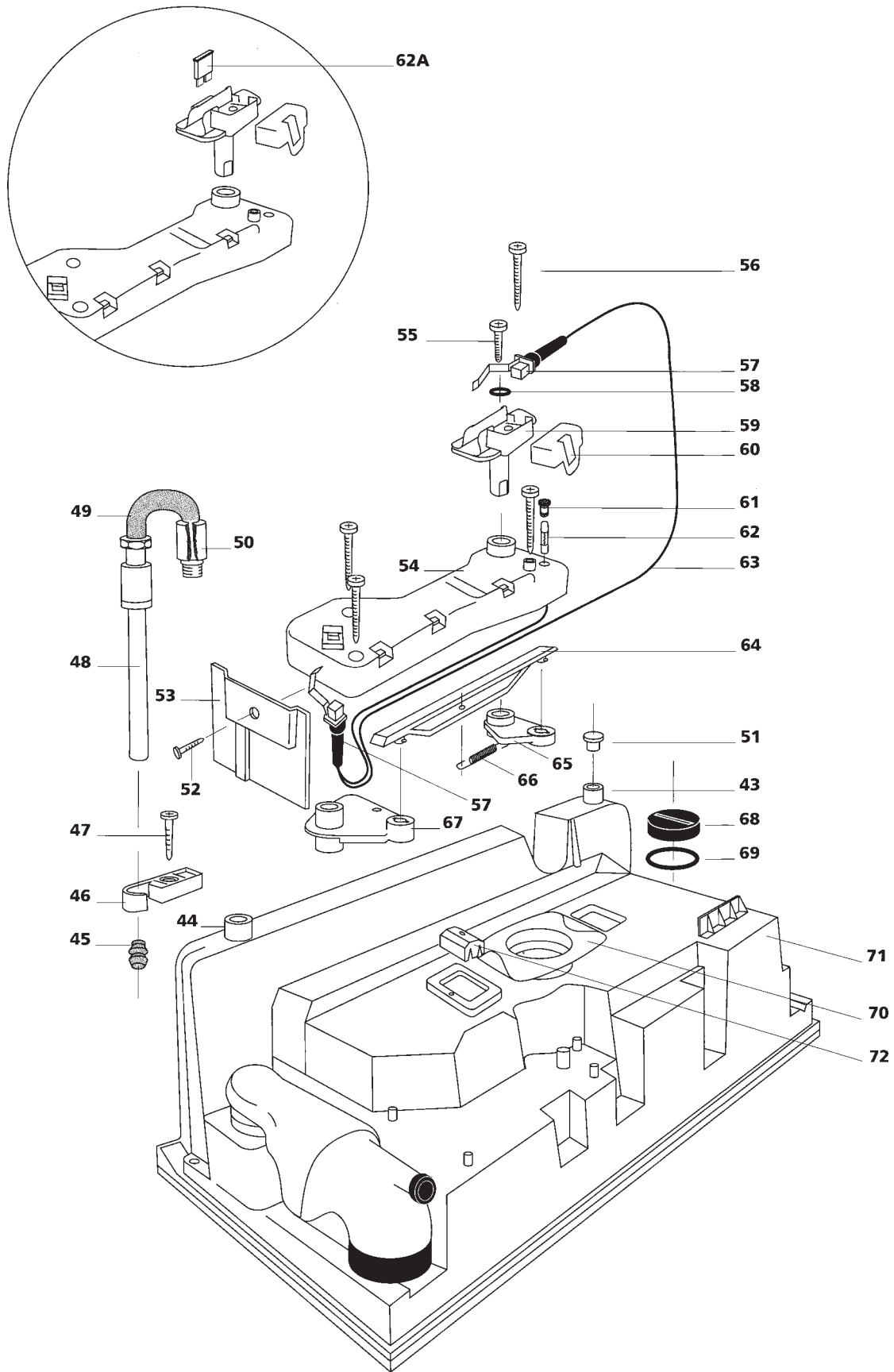
(LO-019.00)

**Cassette C2 (LO-049.01)**

Spare part	Single spare part number	Assembly spare part number	Available in colour number
1. Spring clip retainer	16169		
2. Clip retainer		16350	78
3. Clip			
4. Drip tray	16166		78
5. Draincap waterfillfunnel	16385		78
6. Waterfillfunnel		16381	74
7. Cap waterfillfunnel	16848		78
8. O-ring			
9. Ball float			
10. O-ring			
11. Stop retainer			
12. Nylon bushing			
13. Spring flush knob			
14. Flush knob		16377	62
15. Screw			
16. Plug flush knob			
17. Cover		16194	62
18. Hinge post	16183		10/62/70
19. Hinge pin			
20. Seat			
21. Tissue cap			
22. Tissue holder		16184	62/70
22. A Tissue bracket			
23. Tissuwell			
24. O-ring			
25. Bowl			
26. Dial support			
27. Magnet			
28. Level indicator dial			
29. Decal level indicator		16171	10/62/70
30. Lens			
31. Level indicator bezel			
32. Watertank			
33. Base			
34. Frontpanel			
35. Basepad			
36. Extension frontpanel	16266		10/62
37. Pump	16374		
38. Pump retainer			
39. Screw			
40. Flush tube			
41. O-ring		16378	10/62
42. Nozzle			
43. Flow restrictor			
Pump connector		21050	

Cassette

C2



(LO-020.00)

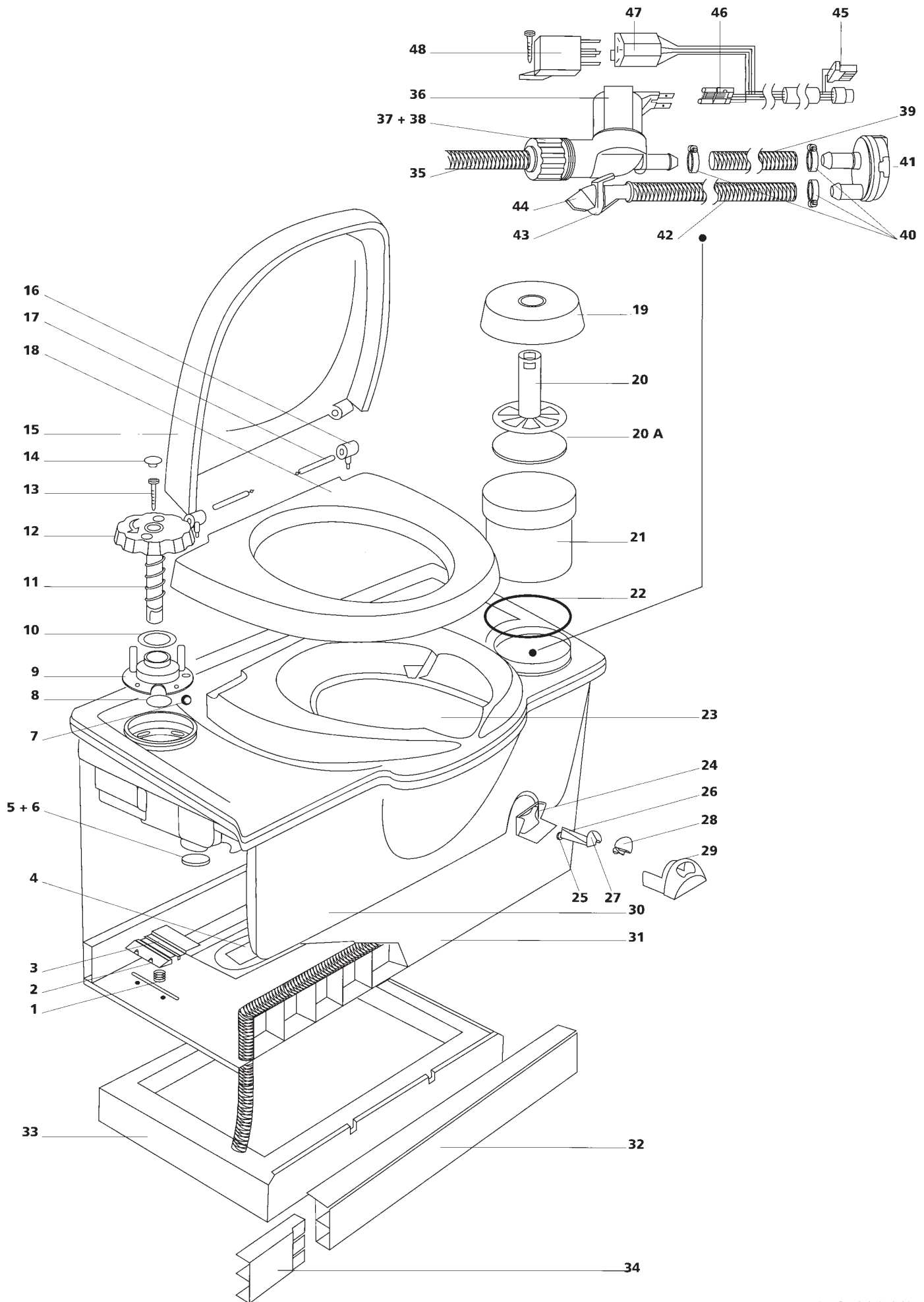
## Cassette C2 bench (LO-050.00)

Spare part	Single spare part number	Assembly spare part number	Available in colour number
<b>44.</b> Connection draintube			
<b>45.</b> Drain connector			
<b>46.</b> Bracket			
<b>47.</b> Screw			
<b>48.</b> Sight glass			
<b>49.</b> Draintube		LH = 21370	
<b>50.</b> Clamp collar		RH = 21371	
<b>51.</b> Blind plug			
<b>52.</b> Skiffy fastener			
<b>53.</b> Splash guard			
<b>54.</b> Mechanism housing			
<b>55.</b> Screw			
<b>56.</b> Screw			
<b>57.</b> Switch	20107		
<b>58.</b> Washer			
<b>59.</b> Saddle			
<b>60.</b> Switch cover	16390		10
<b>61.</b> Cap fuse holder		16379	74
<b>62.</b> Glass fuse 3 Amp	16391		
<b>62. A</b> Fuse 3 Amp*	21766		
<b>63.</b> Cable	16389		
<b>64.</b> Link			
<b>65.</b> Crank			
<b>66.</b> Spring			
<b>67.</b> Crank			
<b>68.</b> Plug fill bottle			
<b>69.</b> O-ring			
<b>70.</b> Bowlflange			
<b>71.</b> Bench/watertank			
<b>72.</b> Magnet basket			

Cassette

\* Toilets produced after June 1994

# Cassette C3



(LO-021.00)

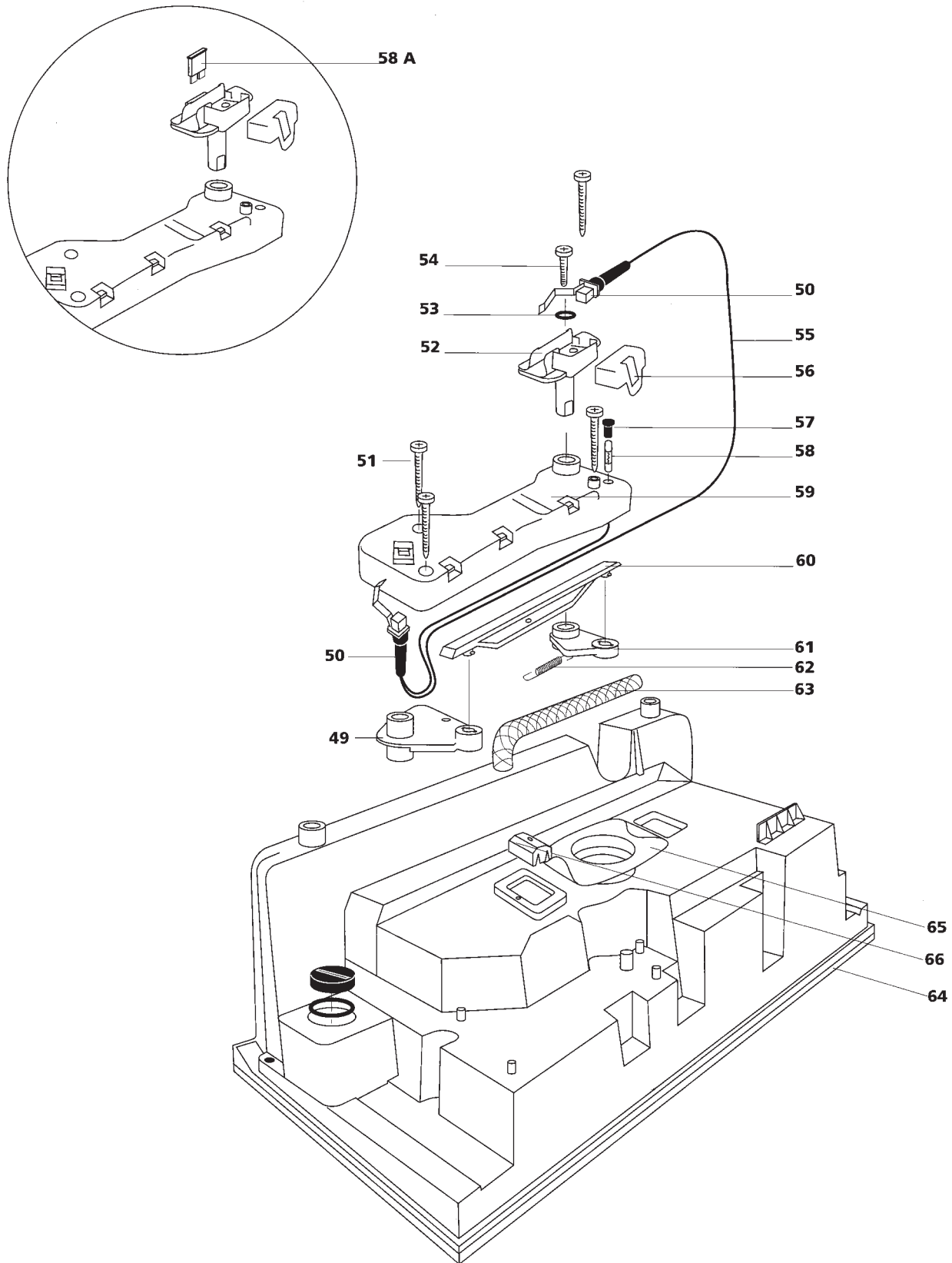
**Cassette C3 (LO-051.00)**

Spare part	Single spare part number	Assembly spare part number	Available in colour number
1. Spring clip retainer	16169	16350	78
2. Clip retainer			
3. Clip			
4. Drip tray	16166		78
5. Plug fill bottle			
6. O-ring			
7. Ball float			
8. O-ring			
9. Stop retainer			
10. Nylon bushing		16377	62
11. Spring flush knob			
12. Flush knob			
13. Screw			
14. Plug flush knob			
15. Cover		16194	62 10/62/70
16. Hinge post	16183		
17. Hinge pin			
18. Seat			
19. Tissue cap		16184	62/70
20. Tissue holder			
20. A Tissue bracket			
21. Tissuwell			
22. O-ring			
23. Bowl			
24. Dial support		16171	10/62/70
25. Magnet			
26. Level indicator dial			
27. Decal level indicator			
28. Lens			
29. Level indicator bezel			
30. Bench			
31. Base			
32. Frontpanel			
33. Basepad			
34. Extension frontpanel	16266		10/62
35. Watersupply tube		20104	
36. Electric valve			
37. Hose barb			
38. Hose nut			
39. Watertube			
40. Clamp			
41. Vacuumbreaker	16833		
42. Flush tube		20103	10/62
43. O-ring			
44. Nozzle			
45. Electric connection mechanism			
46. Electric connection valve			
47. Electric connection relay			
48. Relay	20106		

For colournumber see page 68

Cassette

C3



(LO-022.00)

**Cassette C3 bench (LO-052.00)**

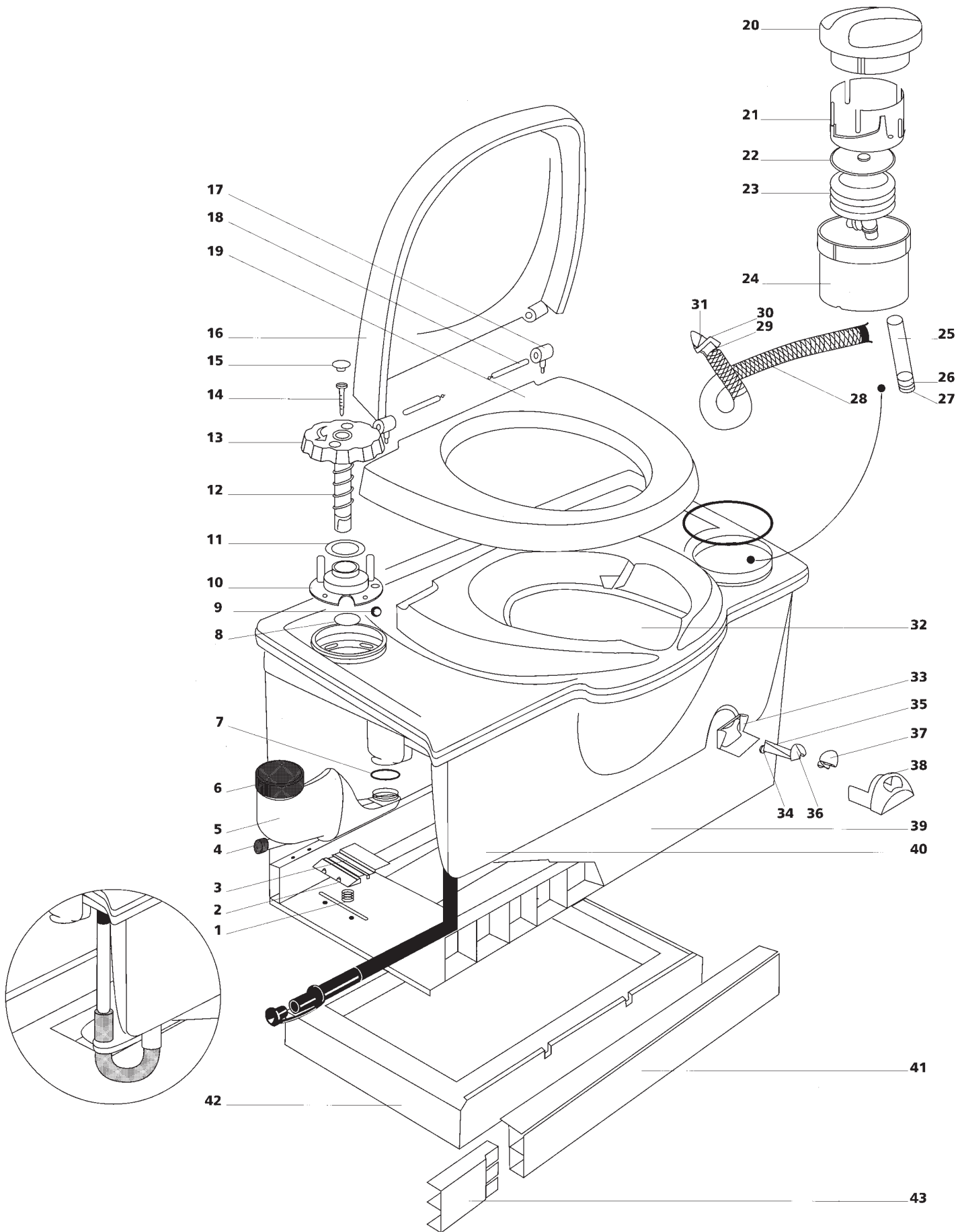
Spare part	Single spare part number	Assembly spare part number	Available in colour number
<b>49.</b> Crank			
<b>50.</b> Switch	20107		
<b>51.</b> Screw			
<b>52.</b> Saddle			
<b>53.</b> Washer			
<b>54.</b> Screw			
<b>55.</b> Cable	16389	16379	74
<b>56.</b> Switch cover	16390		10
<b>57.</b> Cap fuse holder			
<b>58.</b> Glass fuse 3 Amp	16391		
<b>58. A</b> Fuse 3 Amp*	21766		
<b>59.</b> Mechanism housing			
<b>60.</b> Link			
<b>61.</b> Crank			
<b>62.</b> Spring			
<b>63.</b> Watersupply tube			
<b>64.</b> Bench			
<b>65.</b> Bowlflange			
<b>66.</b> Magnet basket			

\* Toilets produced after June 1994

Cassette



# Cassette C4



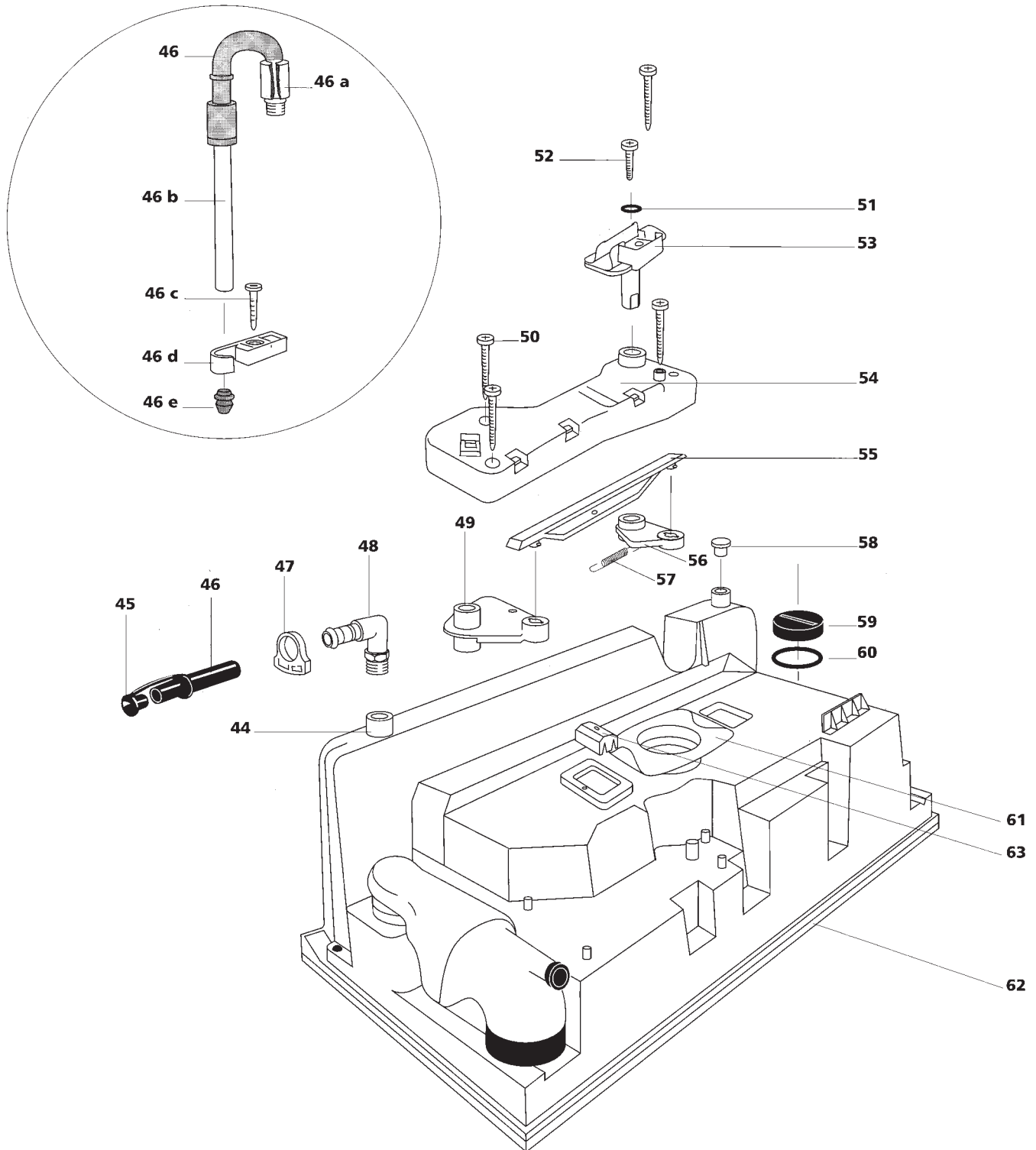
(LO-023.00)

**Cassette C4 (LO-053.00)**

Spare part	Single spare part number	Assembly spare part number	Available in colour number
1. Spring clip retainer	16169	16350	78
2. Clip retainer			
3. Clip			
4. Draincap waterfillfunnel	16385	16381	78
5. Waterfillfunnel			74
6. Cap waterfillfunnel	16848		78
7. O-ring			
8. O-ring		16377	62
9. Ball float			
10. Stop retainer			
11. Nylon bushing			
12. Spring flush knob			
13. Flush knob			
14. Screw			
15. Plug flush knob			
16. Cover		16194	62
17. Hinge post	16183	16194	10/62
18. Hinge pin			
19. Seat			
20. Flush cap		20291	10/62
21. Cylinder flush			
22. Bellow cap			
23. Bellow	21065		
24. Well pump			
25. Inlet tube			
26. Check valve body	21066		
27. Check valve flapper			
28. Flush tube			
29. Seal/plunger/spring	20292		
30. O-ring			
31. Nozzle			
32. Bowl			
33. Dial support		16171	10/62
34. Magnet			
35. Level indicator dial			
36. Decal level indicator			
37. Lens			
38. Level indicator bezel			
39. Base			
40. Watertank			
41. Frontpanel			
42. Basepad			
43. Extension frontpanel	16266		10/62

Cassette

# C4



(LO-024.00)

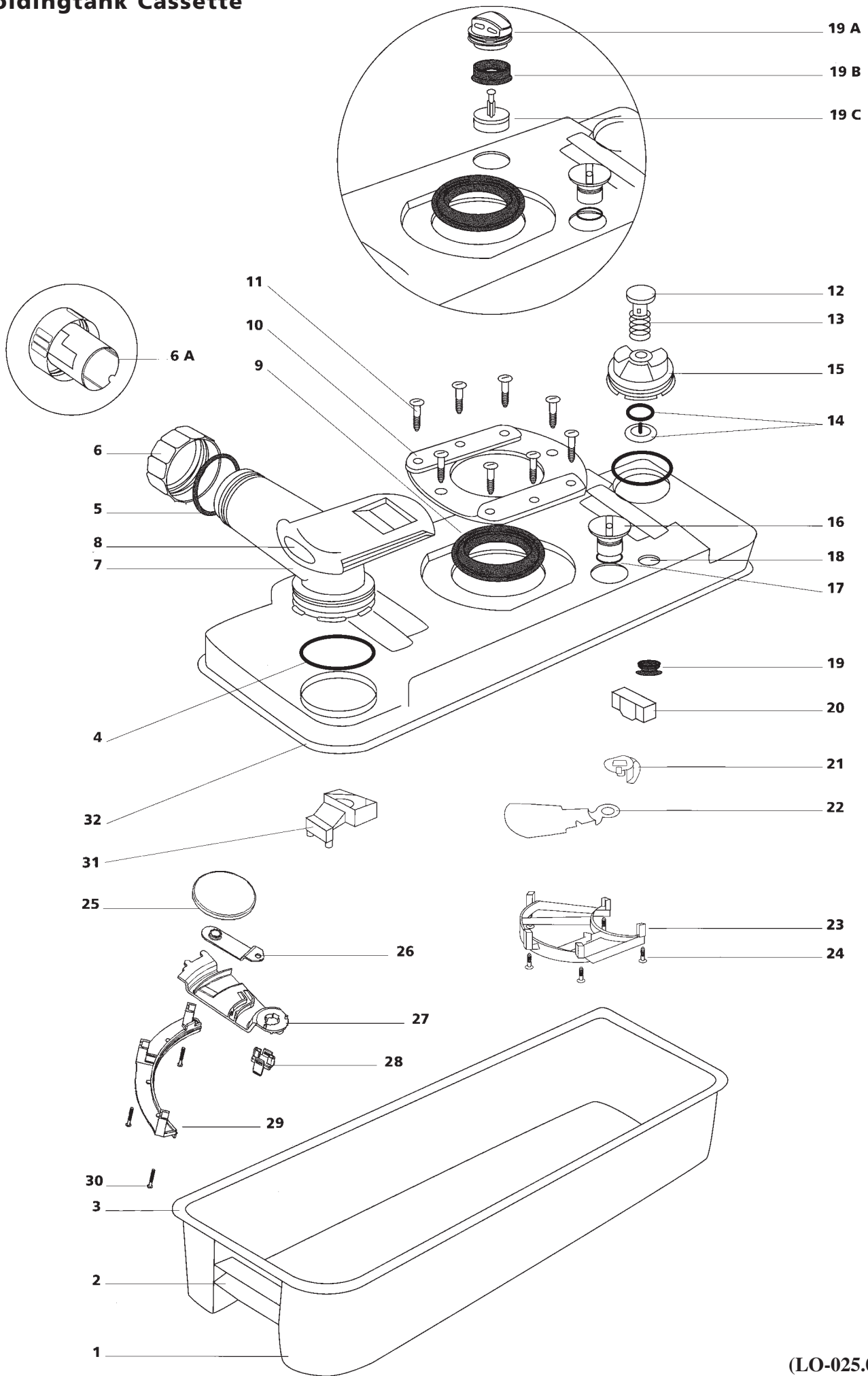
### Cassette C4 bench (LO-054.00)

Spare part	Single spare part number	Assembly spare part number	Available in colour number
<b>44.</b> Connection draintube			
<b>45.</b> Draintube plug		16182	
<b>46.</b> Draintube			
<b>46.</b> <b>A/E</b> Draintube*	LH=21370 RH=21371		
<b>47.</b> Clamp			
<b>48.</b> Adaptor draintube			
<b>49.</b> Crank		20325	74
<b>50.</b> Screw			
<b>51.</b> Washer			
<b>52.</b> Screw			
<b>53.</b> Saddle			
<b>54.</b> Mechanism housing			
<b>55.</b> Link			
<b>56.</b> Crank			
<b>57.</b> Spring			
<b>58.</b> Blind plug			
<b>59.</b> Plug fill bottle			
<b>60.</b> O-ring			
<b>61.</b> Bowlflange			
<b>62.</b> Bench/watertank			
<b>63.</b> Magnet basket			

Cassette

\*Toilets produced after March 1998

# Holdingtank Cassette



(LO-025.00)

## Holdingtank Cassette (LO-055.00)

Spare part	Single spare part number	Assembly spare part number	Available in colour number
<b>1.</b> Holdingtank lower			
<b>2.</b> Carry handle			
<b>3.</b> Weld holdingtank			
<b>4.</b> O-ring (+ <b>5.</b> )	16195	16196	
<b>5.</b> Capseal			74
<b>6.</b> Dump cap (+ <b>5.</b> )	16384		78
<b>6. A</b> Measuring cup	25810		78
<b>7.</b> Pour out Spout			
<b>8.</b> Sliding cover	21333		74
<b>9.</b> Lipseal <sup>1)</sup>	16175		
Lipseal <sup>2)</sup>	23721		
<b>10.</b> Seal cover			
<b>11.</b> Screw			
<b>12.</b> Vent button		16176	74
<b>13.</b> Spring	07524		78
<b>14.</b> Seal retainer			
<b>15.</b> Ventplug			
<b>16.</b> Blade opener <sup>3)</sup>		21458	74
<b>17.</b> Cupseal			
<b>18.</b> Venthole			
<b>19.</b> Ventseal	20339		
<b>19. A</b> Automatic vent upper <sup>4)</sup>		23722	74
<b>19. B</b> Seal automatic vent	21528		
<b>19. C</b> Foam			
<b>20.</b> Float vent	21510		
<b>21.</b> Blade driver			
<b>22.</b> Blade			
<b>23.</b> Blade retainer			
<b>24.</b> Screw			
<b>25.</b> Blade	23847		
<b>26.</b> Blade arm			
Washer			
Screw			
<b>27.</b> Blade arm driver			
<b>28.</b> Drive arm retainer			
<b>29.</b> Track support			
<b>30.</b> Screw			
<b>31.</b> Float arm	21322		
<b>32.</b> Holdingtank upper			
Holdingtank RH complete:	21401 (Incl. Sliding cover)		74
Holdingtank LH complete:	21402 (Incl. Sliding cover)		74

Cassette

<sup>1)</sup>Lipseal 16175 for toilets produced until 15 June 2000.

<sup>2)</sup>Lipseal 23721 for toilets produced after 15 June 2000.

<sup>3)</sup>Blade opener 21458-74 for toilets produced until 15 June 2000.

<sup>4)</sup>Automatic vent. 23722-74 for toilets produced after June 1993.